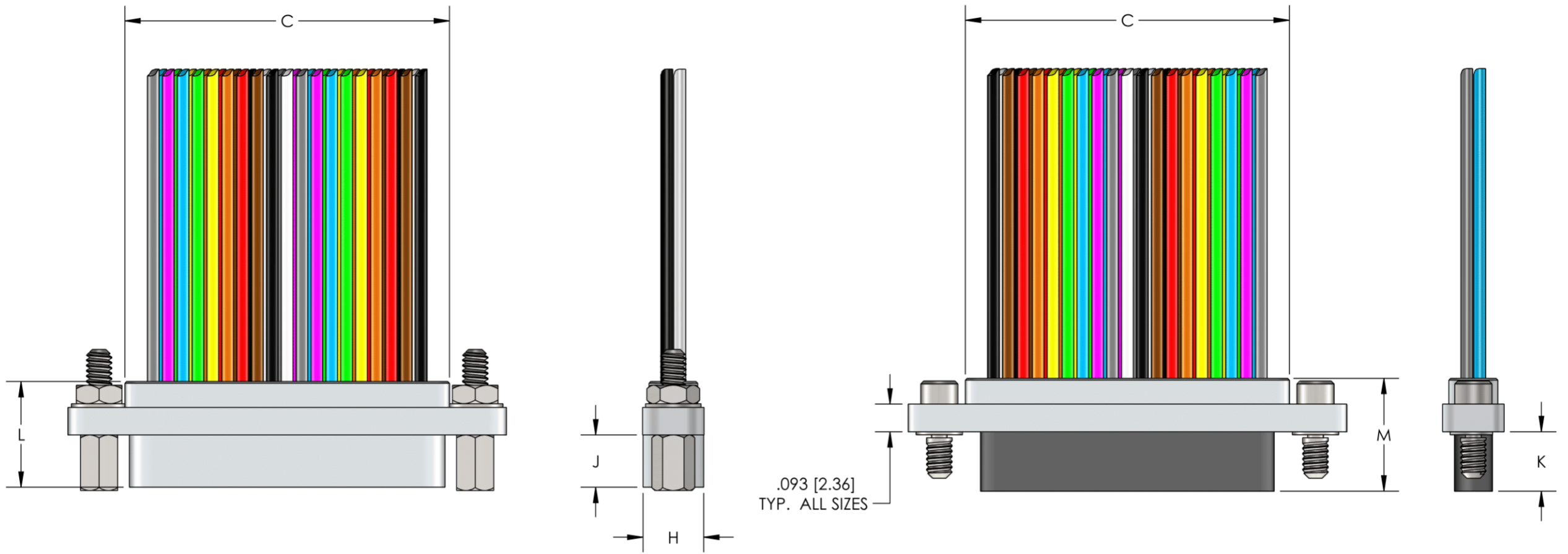
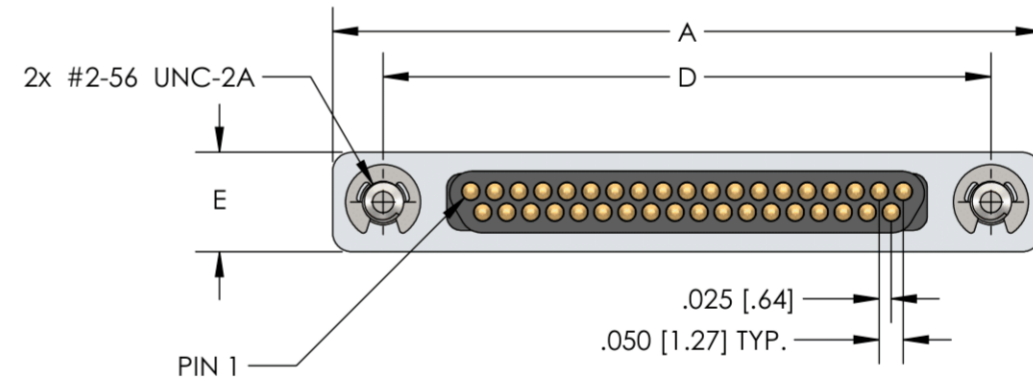
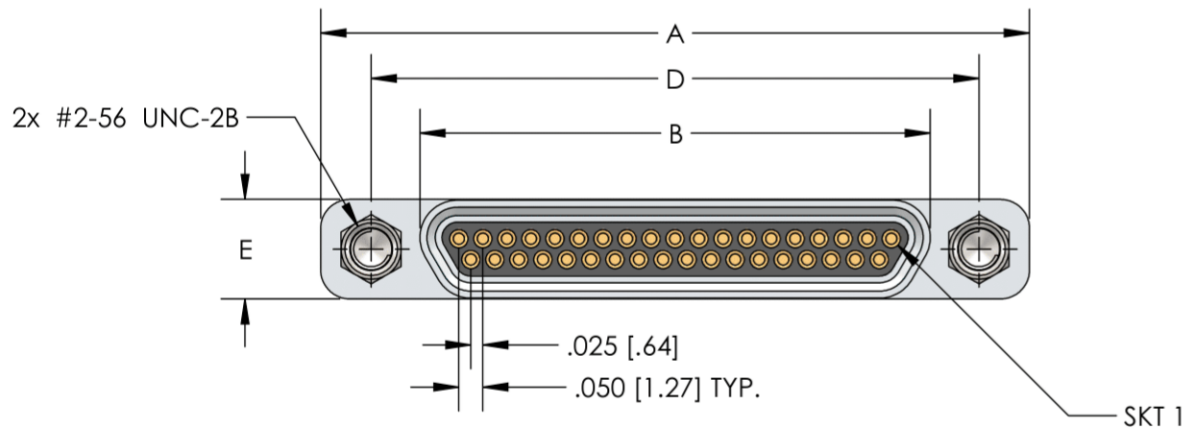


Micro-D Wired Low Profile Metal Shell



RECEPTACLE (SOCKETS)

PLUG (PINS)



2D DIMENSIONAL DATA

Size	A Max.	B Max.	C Max.	D Nom.	E Max.	J Max.(Skt)	L Max.(Skt)	M Max.(Pin)
	ALL							
	A & P SERIES							
9	.785(19.94)	.376(9.55)	.395(9.98)	.565(14.35)	.218(5.54)	.182(4.62)	.375(9.57)	.395(10.03)
15	.935(23.75)	.526(13.36)	.545(13.79)	.715(18.16)	.218(5.54)	.182(4.62)	.375(9.57)	.395(10.03)
21	1.085(27.56)	.693(17.17)	.695(17.60)	.865(21.97)	.218(5.54)	.182(4.62)	.375(9.57)	.395(10.03)
25	1.185(30.10)	.776(19.71)	.795(20.14)	.965(24.51)	.218(5.54)	.182(4.62)	.375(9.57)	.395(10.03)
31	1.335(33.91)	.926(23.52)	.945(23.95)	1.115(28.32)	.218(5.54)	.182(4.62)	.375(9.57)	.395(10.03)
37	1.485(37.72)	1.076(27.33)	1.095(27.76)	1.265(32.13)	.218(5.54)	.182(4.62)	.375(9.57)	.395(10.03)
51-3	1.435(36.45)	1.026(26.06)	1.045(26.44)	1.215(30.86)	.254(6.45)	.182(4.62)	.375(9.57)	.395(10.03)